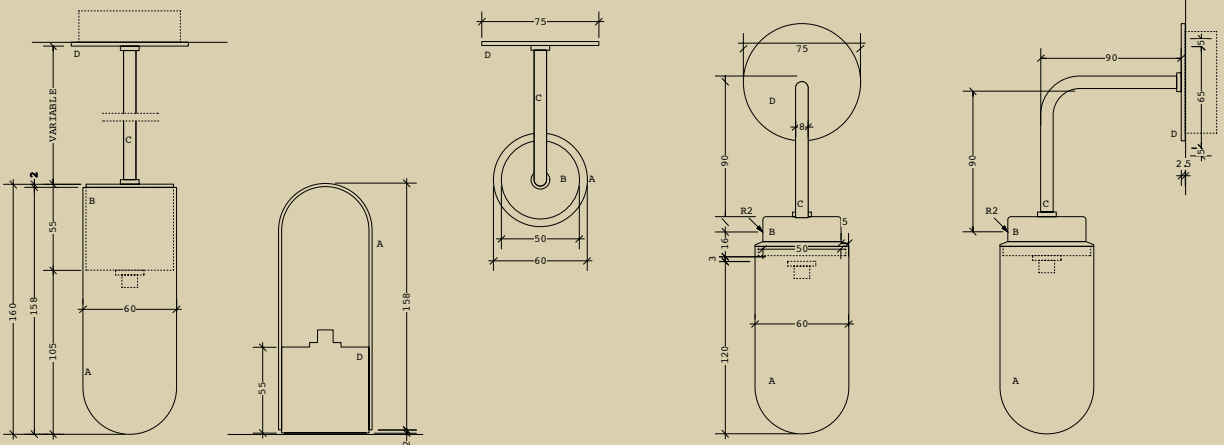




izé

In the **GAS lamps** series David Kohn has designed a timeless architectural fitting. It is not intended to be a design object that makes a statement. Instead it serves as elegant background lighting with which to read the interior it illuminates. Inspired by historical gas powered street lamps, the form of the gas lamp is intended to be something that feels palpably familiar rather than purely novel. The frosting on the glass bell obscures the light source so that the glow gives a mysterious ethereal hue. It becomes something pleasurable and playful much like the flame from a candle. The range encompasses four lights; two pendants, a wall-mounted version and a table lamp, each characterised by the familiar frosted glass bell. They are available in any finish, from bronze and nickel to solid colours. Please contact **izé** for details.



Winner of the Young Architect of the Year Award 2009, David Kohn Architects is a London based architectural practice founded in 2007. Recent projects include Flash, a temporary restaurant at the Royal Academy of Arts, which won a D&AD Yellow Pencil Award 2009, a house for Stuart Shave in Norfolk, a new art gallery for Modern Art, London, Tutti a Tavola!, the cultural event which launched this year's Salone del Mobile Milan and an urban design strategy for the borough of Deptford in partnership with Design for London. In addition to architectural practice, David is a writer on cultural issues, a design advisor to Newham Council and the Sorrell Foundation and a course leader at London Metropolitan University. He studied architecture at the University of Cambridge and at Columbia University, New York, as a Fulbright Scholar.

Founded in 2001 in an attempt to reconcile the realms of architecture, design, art and manufacture, izé develops and manufactures bespoke and production hardware. Working with architects and industrial and interior designers, izé aims to create products which make the everyday rituals of using space more pleasurable and meaningful through an enhanced sense of touch and material. izé has worked with designers including Zaha Hadid, Kenneth Grange, Peter Saville, Sergison Bates, Mark Pimlott, Eric Parry and many others.

www.ize.info / 02073843302